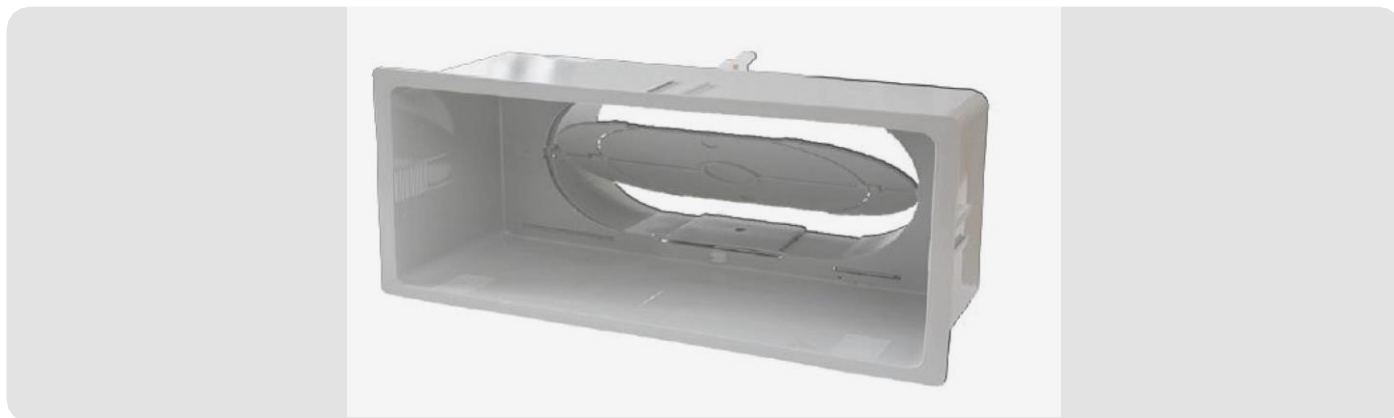


PLENUM IN POLYCARBONATE mod. EP/01

POLYCARBONATE PLENUM MOD. EP/01



CARATTERISTICHE

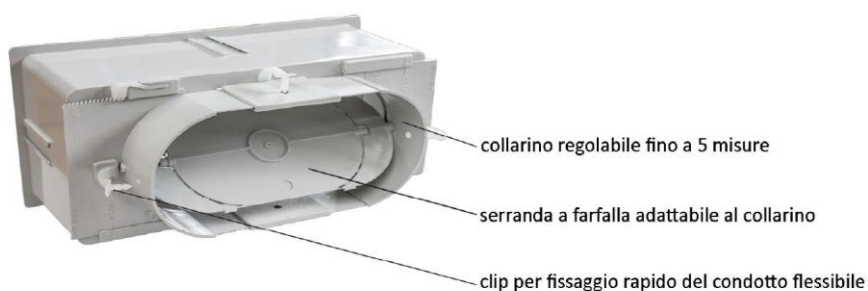
Patented plenum, equipped with quick connection to the flexible duct and adjustable up to 5 different diameters. A butterfly damper that is able to adapt to the chosen pipe diameter is supplied. Thanks to the special construction and locking clips, the installation of the flexible duct becomes quick and safe as well as of unique simplicity.

The lightness of the locking system with guides optimizes the features of this product and makes it a very viable alternative to classic galvanized sheet metal plenums. Drywall attachment kit available.

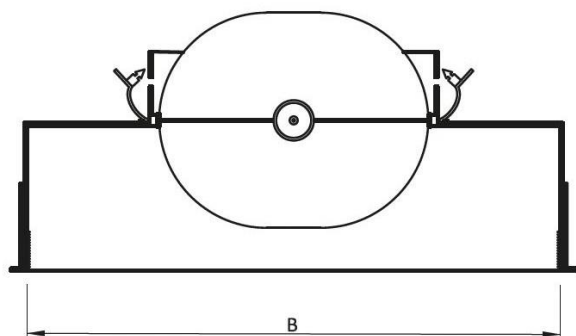
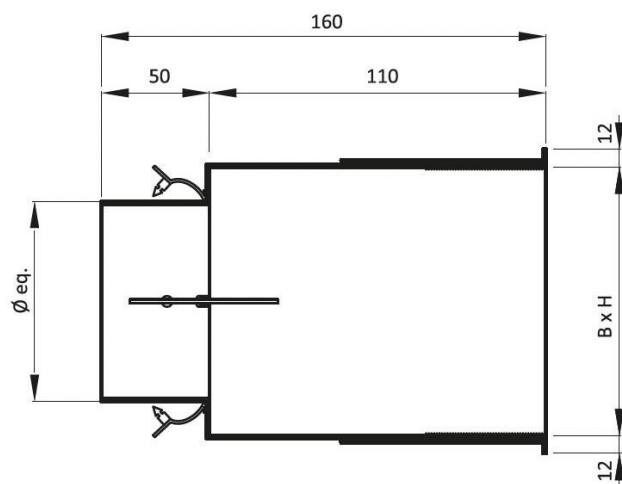
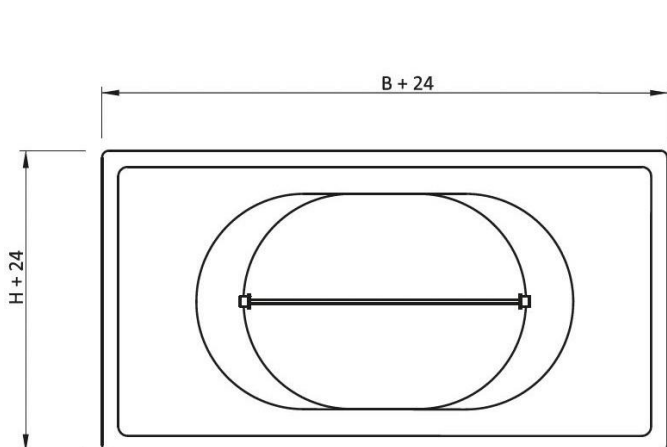
Materials of construction:
polycarbonate.

Maximum operating temperature:
140°C.

DETAILS OF POLYCARBONATE PLENUM (FOR VENTS AND GRILLES) MOD. EP/01---X---



DIMENSIONS



Codice AIRPLAST del plenum EP/01 (per bocchette e griglie)	B (mm)	H (mm)	Ø (equivalente) minimo-massimo tarabile sull'attacco del plenum *
EP/01200X100	200	100	125
EP/01300X100	300	100	160 ÷ 200
EP/01400X100	400	100	160 ÷ 200
EP/01300X150	300	150	160 ÷ 200
EP/01400X150	400	150	160 ÷ 250
EP/01500X150	500	150	160 ÷ 250
EP/01600X150	600	150	160 ÷ 250
EP/01400X200	400	200	200 ÷ 250
EP/01500X200	500	200	200 ÷ 250
EP/01600X200	600	200	200 ÷ 250

* Il collarino può essere regolato per un diametro equivalente a piacere fra il minimo e il massimo: ad. es. per 160÷250 il collarino può essere regolato anche per diametri equivalenti 180, 200 e 229 mm. (La serranda a farfalla a corredo non è utilizzabile per 180 e 229).